



**Catalogo parti di ricambio
Spare parts catalogue
Ersatzteilkatalog
Catalogue pieces detachees
Catalogo de repuestos**

Model:..... **PONY VX 360 [TOMA]**.....

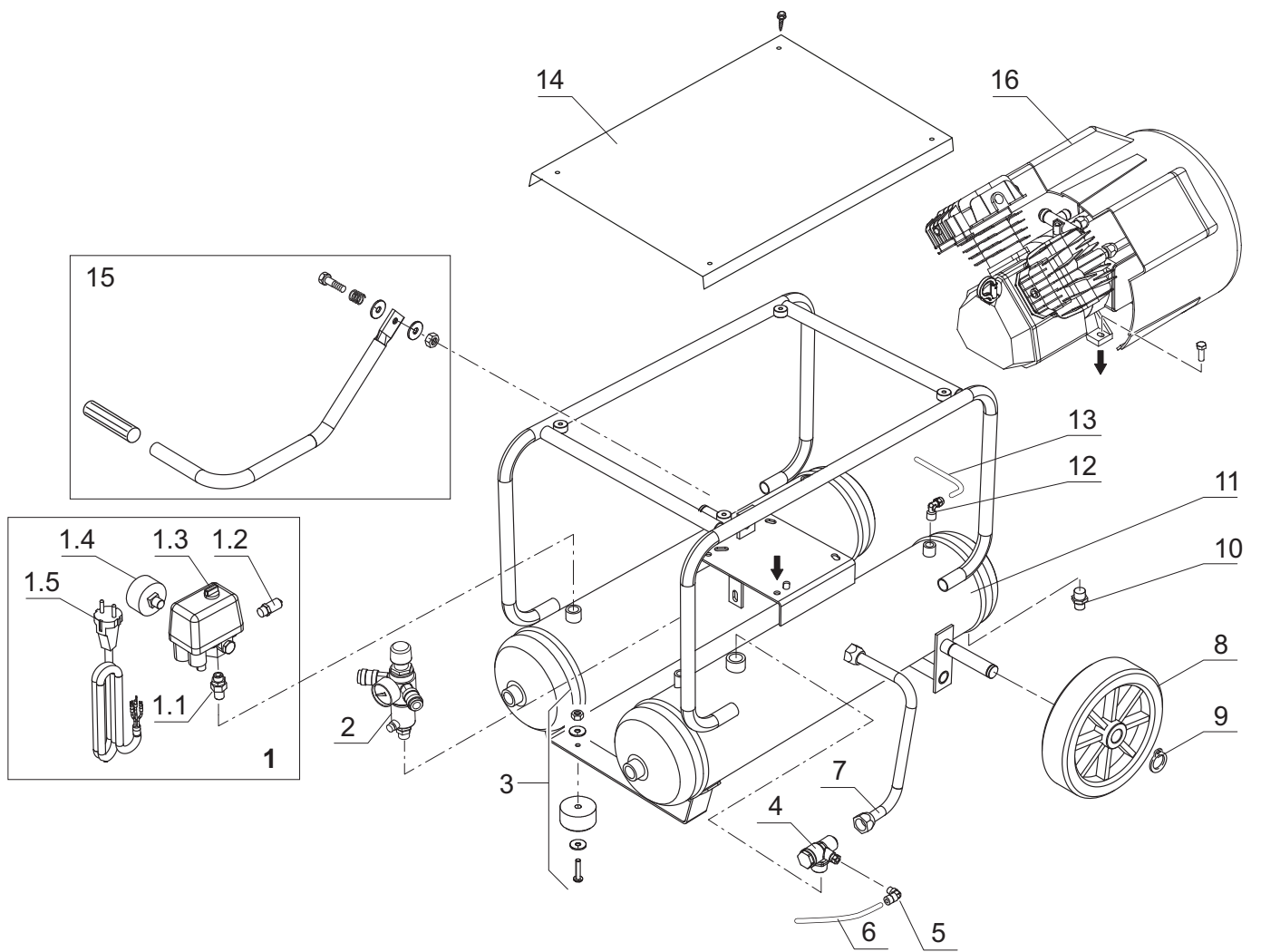
Code:..... **1121440064**.....

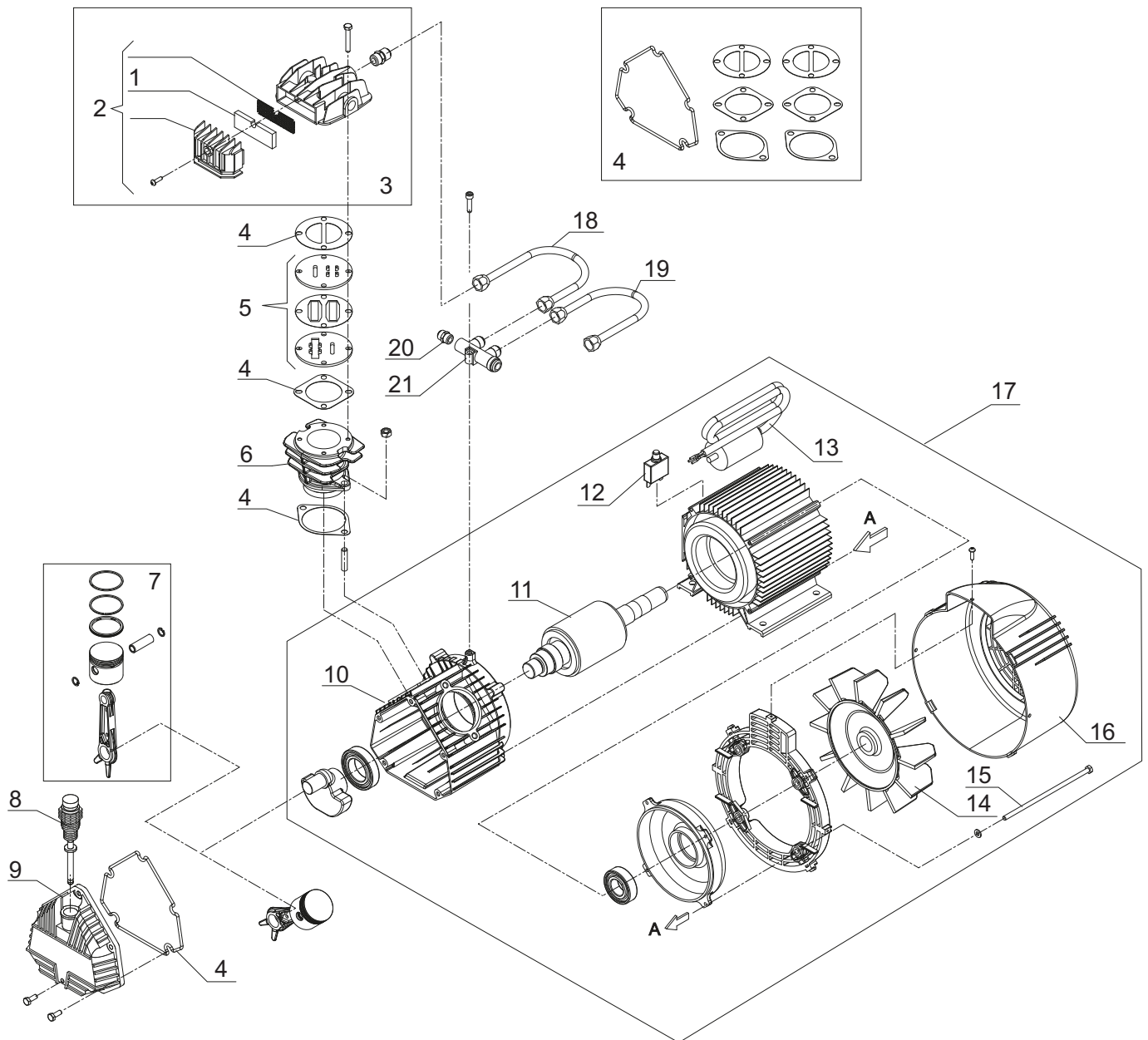
Valid from: **02/10/2017**.....

INDEX

Table	Model	pag.
1	PONY VX_00	4
2	VX255-360_00	6
3		
4		
5		
6		
7		
8		
9		
10		

Model: PONY VX 360 [TOMA]
 Code: 1121440064
 Valid from: 02/10/2017
 Tav.: PONY VX_00







Model: PONY VX 360 [TOMA]
 Code: 1121440064
 Valid from: 02/10/2017
 Tav.: VX255-360_00

N°	Code	Q.ty	Q.ty*	Description	N°	Code	Q.ty	Q.ty*	Description
1	1127210001	2	30	ELEMENTO FILTRANTE FILTER CARTRIDGE					
2	1124080700	2		KIT FILTRO KIT					
3	1129702365	2		KIT TESTA HEAD KIT					
4	1124080386	1	30	KIT GUARNIZIONI GASKETS KIT					
5	1127450948	2	30	KIT PIASTRA VALVOLE VALVE PLATE KIT					
6	1127570540	2		CILINDRO CYLINDER					
7	1127180106	1		ASTA LIVELLO OLIO OIL DIPSTICK					
7	1124190113	2	30	KIT BIELLA/PISTONE CON ROD-PISTON KIT					
9	1127650001	1		COPERCHIO CARTER CASING COVER					
10	1120036747	1		CARTER CRANKCASE					
11	1120036748	1		ROTORE ROTOR					
12	1127410088	1	5	PROT. TERMICA MONOF. TRADUZIONE MANCANTE					
13	1127310062	1		CONDENSATORE CAPACITOR					
14	1129101996	1		VENTOLA DI RAFF. FAN					
15	1127010513	4		TIRANTE M6X167 TIE-ROD					
16	1129101994	1		CONVOGLIATORE CONVEYOR					
17	1129100872	1		KIT MOTORE MONOFASE KIT					
18	1127230893	1		TUBO ALIMENTAZIONE INFEED HOSE					
19	1127230894	1		TUBO ALIMENTAZIONE INFEED HOSE					
20	1127190600	1	5	VALVOLA START START VALVE					
21	1127080995	1		COLLETORE MANIFOLD					

Q.ty = Quantità unitaria / Single unit quantity / Quantité unitaire / Cantidad unitaria / Einzeleinheitsmenge
 Q.ty* = Ricambi consigliati in percentuale / Suggested spare parts in percentage / Pièces de rechange suggérées en pourcentage / Piezas de repuesto sugeridas en porcentaje / Vorgeschlagene Ersatzteile in Prozent